



COMPACT 2668 RT COMPACT 3368 RT



Outstanding rough terrain driving features

- 4 wheel drive
- Automatic differential lock
- Excellent gradeability of 40%
- Ground clearance of 11 in

Durable and easy to maintain

- Outriggers positioned within the machine footprint
- Durable and reliable upper control box
- Optimized accessibility to components
- Built-in diagnostic tool

Exceptional productivity

- Fully proportional controls
- Tight turning radius
- One switch to deploy and retract all 4 outriggers



Haulotte 
GROUP

More than lifting





COMPACT 2668/3368 RT

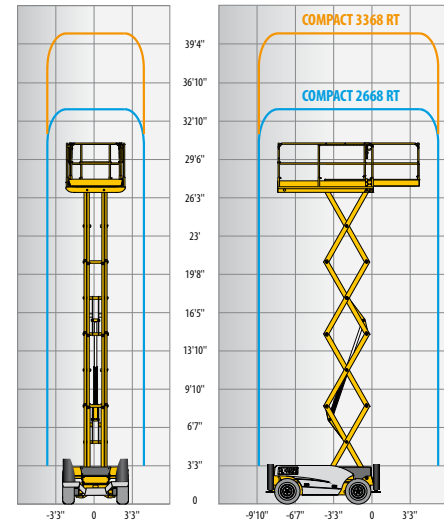
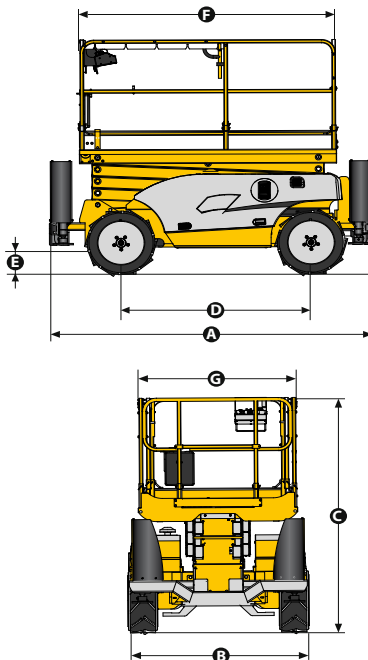


ROUGH TERRAIN SCISSOR LIFTS

TECHNICAL DATA

Compact **2668 RT** Compact **3368 RT**

Working height	32 ft 9 in	39 ft 4 in
Platform height	26 ft 9 in	33 ft 4 in
Lift capacity	1250 lbs	1000 lbs
A Length	10 ft 5 in	10 ft 5 in
B Width	5 ft 11 in	5 ft 11 in
C Height - stowed	8 ft	8 ft 4 in
Storage height	5 ft 2 in	5 ft 2 in
F Platform length	8 ft 3 in	8 ft 3 in
Extended platform length	12 ft 2 in	12 ft 2 in
Platform extension length	3 ft 11 in	3 ft 11 in
G Platform width	5 ft 1 in	5 ft 1 in
D Wheelbase	6 ft 2 in	6 ft 2 in
E Ground clearance	11 in	11 in
Number of extensions	1	1
Drive speed	0.5 - 3.4 mph	0.5 - 3.4 mph
Turning radius - outside	11 ft 6 in	11 ft 6 in
Lift / lower speed	35 s / 46 s	40 s / 51s
Engine	18.5 kW - 24.8 hp	18.5 kW - 24.8 hp
Gradeability	40 %	40 %
Tires	26x12-16.5	26x12-16.5
Hydraulic tank capacity	20 gal	20 gal
Weight	7,585 lbs	8,959 lbs



STANDARD EQUIPMENT

- Kubota engine
- 4 wheel drive, 2 wheel steer
- Tilt alarm
- 3' 11" platform extension
- Removable platform control box
- Brake release
- Hour meter
- Towing hooks
- Hydraulic brakes
- Manual platform lowering valve
- Foam-filled, all-terrain tires
- Hydraulic leveling jacks
- Fold down guardrails
- Electric horn
- Lanyard attachment points
- AC power to the platform

OPTIONS AND ACCESSORIES

- Flashing beacon
- Alarm package (motion alarm)
- Arctic package (consult factory)
- 55 W platform work light
- Cold weather package
- Travel alarm
- Descent alarm

