


Dynapac CA2500D

Single drum vibratory rollers


Atlas Copco





Technical data


|  Masses | |
|--|----------------|
| Operating mass (incl. ROPS) | 10,100 kg |
| Operating mass (incl. Cab) | 10,300 kg |
| Module mass (front/rear) | 5,600/4,700 kg |
| Max. operating mass | 11,900 kg |


|  Dimensions | |
|--|----------|
| Drum width | 2,130 mm |


|  Traction | |
|--|--------------|
| Speed range | 0 -12 km/h |
| Tyre size (8 ply) | 23,1 x 26 AW |
| Theor. gradeability | 51 % |
| Vertical oscillation | ±9° |

|  Compaction | |
|--|---------------|
| Static linear load | 26 kg/cm |
| Nominal amplitude (high/low) | 1.8 mm/0.9 mm |
| Vibration frequency (high/low amplitude) | 33 Hz/34 Hz |
| Centrifugal force (high/low amplitude) | 250 kN/130 kN |

|  Engine | |
|--|----------------------------|
| Manufacturer/Model | Cummins QSF3.8 (IV/4final) |
| Type | Water cooled turbo Diesel |
| Rated power, SAE J1995 | 89 kW (120 hp) @ 2,200 rpm |
| Fuel tank capacity | 272 l |
| DEF tank capacity | 20 l |

|  Engine | |
|--|----------------------------|
| Manufacturer/Model | Cummins QSB4.5 (IIIB/4i) |
| Type | Water cooled turbo Diesel |
| Rated power, SAE J1995 | 97 kW (130 hp) @ 2,200 rpm |

|  Engine | |
|--|----------------------------|
| Manufacturer/Model | Cummins QSB4.5 (IIIA/3) |
| Type | Water cooled turbo Diesel |
| Rated power, SAE J1995 | 97 kW (130 hp) @ 2,200 rpm |

|  Hydraulic system | |
|--|---|
| Driving | Hydrostatic |
| Vibration | Hydrostatic |
| Steering | Hydrostatic |
| Service brake | Hydrostatic in forward and reverse lever. |
| Parking/ Emergency brake | Failsafe multidisc brake in drum gear box and in rear axle. |

Find us locally at www.atlascopco.com

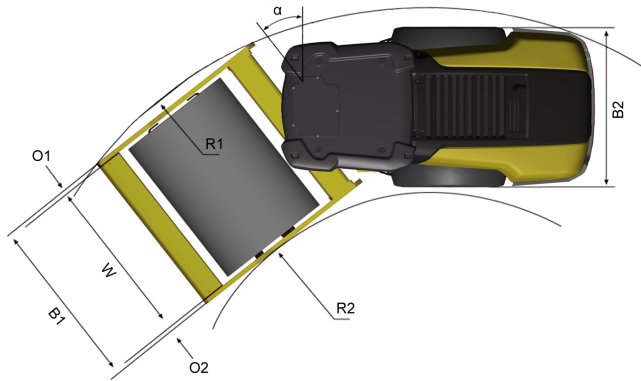
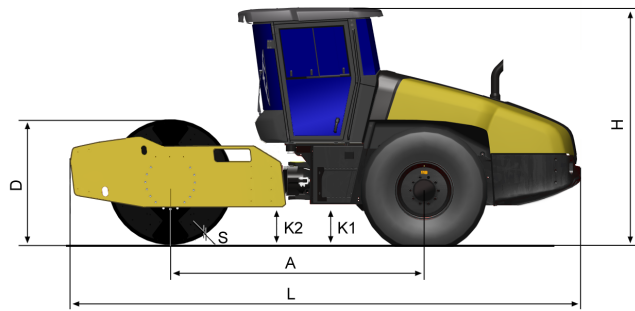
We reserve the right to change specifications without notice. Photos and illustrations do not always show standard versions of machines. The above information is a general description only, all informations are supplied without liability.

Dynapac CA2500D

Single drum vibratory rollers

Atlas Copco

Technical data



| Dimensions | |
|-----------------------------|----------------|
| A. Wheelbase | 2,990 mm |
| B1. Width, front | 2,300 mm |
| B2. Width, rear | 2,130 mm |
| D. Drum diameter | 1,500 mm |
| H. Height, with ROPS/cab | 2,870 mm |
| K1. Ground clearance | 450 mm |
| K2. Curb clearance | 450 mm |
| L. Length | 5,990 mm |
| O1. Overhang, right | 105 mm |
| O2. Overhang, left | 105 mm |
| R1. Turning radius, outside | 5,450 mm |
| R2. Turning radius, inside | 3,300 mm |
| S. Drum shell thickness | 25 mm |
| W. Drum width | 2,130 mm |
| α . Steering angle | $\pm 38^\circ$ |

Find us locally at www.atlascopco.com

We reserve the right to change specifications without notice. Photos and illustrations do not always show standard versions of machines. The above information is a general description only, all informations are supplied without liability.

rce_ca2500d_en-20160526.164633.pdf 2016-05-26 16:46