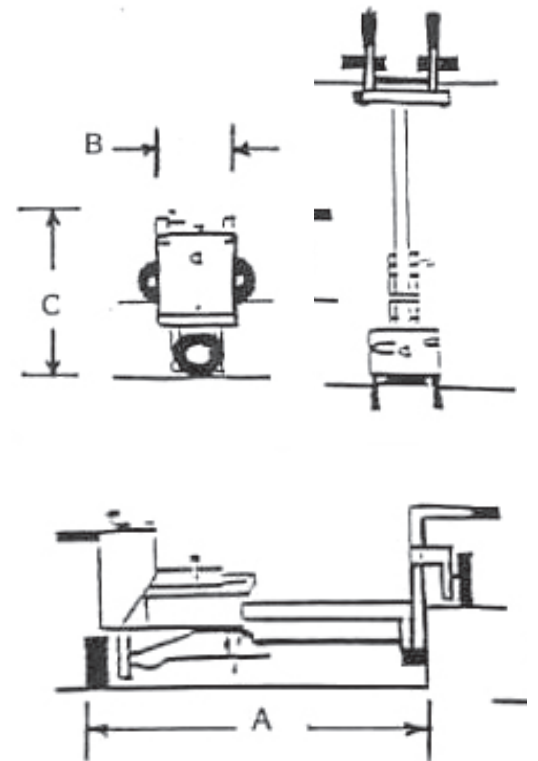


Specifications >>

Model 110B



	Horizontal Position >>	Vertical Position >>
Lower Length (A)	41 3/8" (105.1 cm)	N/A
Lower Length w/ back wheel removed	34 3/4" (88.3 cm)	N/A
Width (B)	12" (30.5 cm)	
Height (C)	29" (73.7 cm)	N/A
Weight	170 lbs (77.2 kg)	
Drill distance from corner	6" (15.2 cm)	N/A
Drill distance from ground	3" (7.6 cm)	up to 12" (30.5 cm)
Drill depth (std.)	12" (30.5 cm)	
Drill bit diameter	5/8" to 2" (15.9 mm to 50.8 mm)	
Drill motor (pneumatic)	CP 22	
Weight	28 lbs (12.7 kg)	
Chuck size (std.)	7/8" x 3 1/4" (22.2 mm x 82.6 mm)	
Air consumption (minimum)	50 cfm (1.4 m3/min)	
Operating pressure	90 psi (6.2 bar)	
Impact (ft. lbs./blow)	24 fpb (32.6 J)	
Blows/minute	2600 bpm	
Rotations/minute	210 rpm	

*Specifications subject to change without notice.