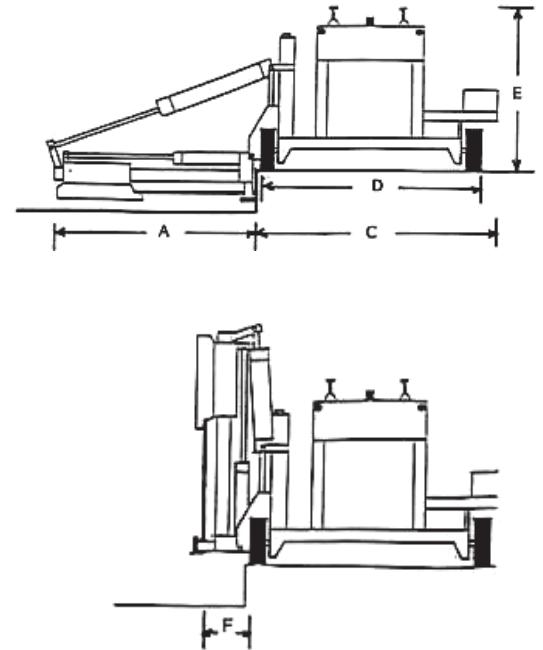


## Specifications >>

## Model 210B-2 SRA



	Horizontal Position >>	Vertical Position >>
Lower Length (A)	46" (116.8 cm)	N/A
Overall Length (A) + (C)	100" (254.0 cm)	73" (185.4 cm)
Cart Length (C)		54" (137.2 cm)
Wheel Base (D)		48" (121.9 cm)
Width		54" (137.2 cm)
Height (E)	39" (99.1 cm)	Varies
Weight		1,150 lbs (522.1 kg)
Drill distance from corner	6" (15.2 cm)	N/A
Drill distance from ground	3" (7.6 cm)	up to 12" (30.5 cm)
Drill depth (std.)		18" (45.7 cm)
Drill bit diameter		5/8" to 2 1/2" (15.9 mm to 63.5 mm)
Distance from wheel to center of bit (F)	N/A	21 1/2" (54.6 cm)
Drill motor (pneumatic)		CP 32A
Weight		54 lbs (24.5 kg)
Chuck size (std.)		7/8" x 3 1/4" (22.2 mm x 82.6 mm)
Air consumption (minimum)		200 cfm (5.6 m3/min)
Operating pressure		90 psi (6.2 bar)
Impact (ft. lbs./blow)		36 fpb (49.0 J)
Blows/minute		2200 bpm
Rotations/minute		288 rpm

\*Specifications subject to change without notice.