

# Dynapac CA1500D

## Single drum vibratory rollers

Atlas Copco



### Technical data



#### Masses

Operating mass (incl. ROPS)	7,050 kg
Operating mass (incl. Cab)	7,200 kg
Module mass (front/rear)	3,600 kg/3,600 kg
Max. operating mass	8,500 kg



#### Traction

Speed range	0 - 12 km/h
Tyre size (8 ply)	14.9 x 24 TL
Theor. gradeability	55 %
Vertical oscillation	±9°



#### Compaction

Static linear load	21 kg/cm
Nominal amplitude (high/low)	1.8 mm/0.8 mm
Vibration frequency (high/low amplitude)	32 Hz/36 Hz
Centrifugal force (high/low amplitude)	133 kN/72 kN



#### Engine

Manufacturer/Model	Deutz TD3.6 (IIIB/T4)
Type	Water cooled turbo diesel
Rated power, ISO 14396	55 kW (75 hp) @ 2200 rpm
Fuel tank capacity	190 l



#### Engine

Manufacturer/Model	Cummins QSB3.3 (IIIA/T3)
Type	Water cooled turbo Diesel
Rated power, SAE J1995	74 kW (100 hp) @ 2,200 rpm



#### Hydraulic system

Driving	Hydrostatic
Vibration	Hydrostatic
Steering	Hydrostatic
Service brake	Hydrostatic in forward and reverse lever.
Parking/ Emergency brake	Failsafe multidisc brake in drum gear box and in rear axle.

Find us locally at [www.atlascopco.com](http://www.atlascopco.com)

We reserve the right to change specifications without notice. Photos and illustrations do not always show standard versions of machines. The above information is a general description only, all informations are supplied without liability.

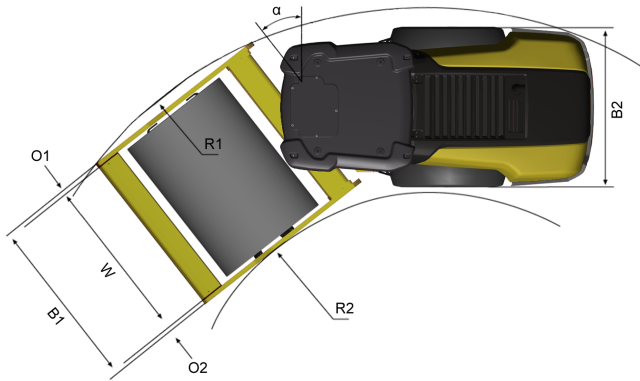
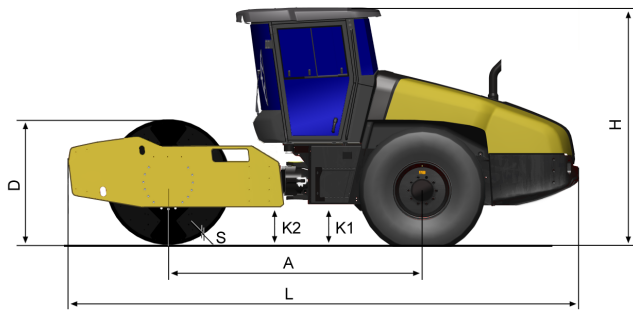
dynapac\_ca1500d\_en-20160229.102520.pdf 2016-02-29 10:25

# Dynapac CA1500D

## Single drum vibratory rollers

Atlas Copco

### Technical data



Dimensions	
A. Wheelbase	2,690 mm
B1. Width, front	1,866 mm
B2. Width, rear	1,700 mm
D. Drum diameter	1,219 mm
H. Height, with ROPS/cab	2,730 mm
K1. Ground clearance	320 mm
K2. Curb clearance	350 mm
L. Length	5,280 mm
O1. Overhang, right	95 mm
O2. Overhang, left	95 mm
R1. Turning radius, outside	4,800 mm
R2. Turning radius, inside	3,100 mm
S. Drum shell thickness	22 mm
W. Drum width	1,676 mm
$\alpha$ . Steering angle	$\pm 38^\circ$

Find us locally at [www.atlascopco.com](http://www.atlascopco.com)

We reserve the right to change specifications without notice. Photos and illustrations do not always show standard versions of machines. The above information is a general description only, all informations are supplied without liability.

dynapac\_ca1500d\_en-20160229.102520.pdf 2016-02-29 10:25